

6

5

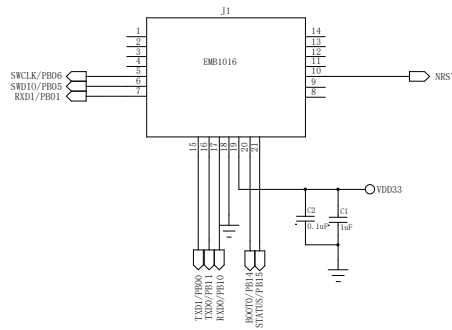
4

3

2

1

REVISION RECORD			
LTR	ECCO NO:	APPROVED:	DATE:



**NOTE:**

- 1.C1 & C2 nearby EMB1016 pin 19,VDD33 power supply reconmended used by LDO only(important).
- 1.Pin16,17 is recommended for user uart port,refer to EMB1016 datasheet.
- 3.Pin7,15 is debug uart port for Debug,refer to EMB1016 datasheet.
- 4.In ISP mode,pin20(high) is necessary.
- 5.In QC mode,pin21(low) is necessary.

COMPANY:				Shanghai MXCHIP Corp			
TITLE:				EMB1016 REF SCH			
CODE:	SIZE:	DRAWING NO:		REV:			
	B						
SCALE:				SHEET: 1 OF 1			

DRAWN:	Zhangjunli	DATED:	2021.11.18
CHECKED:	Xuwei	DATED:	2021.11.18
QUALITY CONTROL:	Huangyong	DATED:	2021.11.19
RELEASED:	Liuchangqing	DATED:	2021.11.19

D

D

C

C

B

B

A

A