

6

5

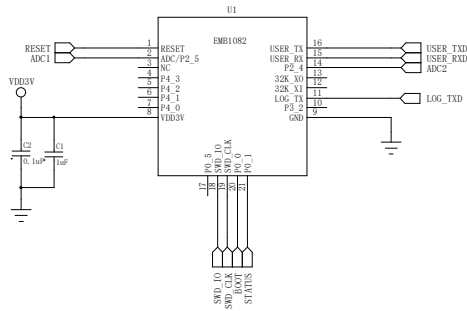
4

3

2

1

REVISION RECORD			
LTR	ECCO NO:	APPROVED:	DATE:



COMPANY: Shanghai MXCHIP Corp			
TITLE: EMB1082 REF SCH			
CODE:	SIZE: B	DRAWING NO:	REV:
SCALE:		SHEET: 1 OF 1	

DRAWN: Zhangjunli	DATED: 2021.11.18
CHECKED: Xuwei	DATED: 2021.11.18
QUALITY CONTROL: Huangyong	DATED: 2021.11.19
RELEASED: Liuchangqing	DATED: 2021.11.19

D

D

C

C

B

B

A

A