

6

5

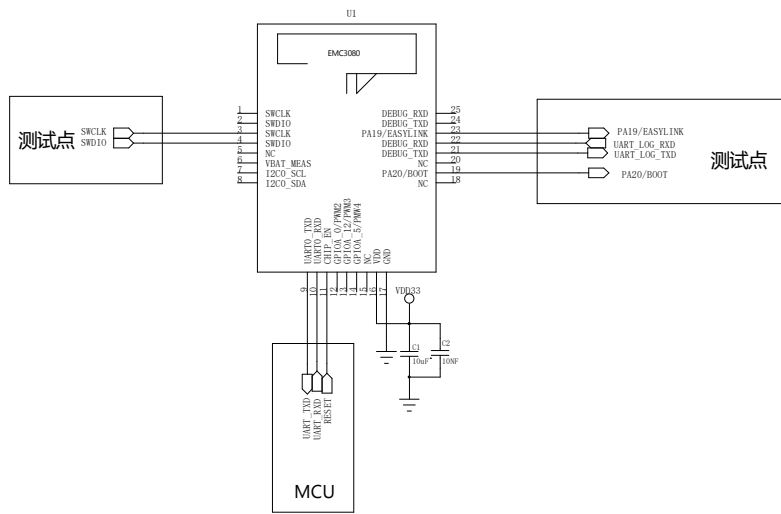
4

3

2

1

REVISION RECORD			
LTR	ECO NO:	APPROVED:	DATE:



NOTE:

- 1.Pin9,10 is recommended for user uart port,refer to EMC3080 datasheet.
- 2.Pin21,22 is debug uart port for ATE Mode,refer to EMC3080 datasheet.
- 3.reset如果不接MCU可悬空， 模组内部有上拉。

COMPANY: Shanghai MXCHIP Corp			
TITLE: EMC3080 REF SCH			
CODE:	SIZE: B	DRAWING NO:	REV:
SCALE:		SHEET: 1 OF 1	

DRAWN: Zhangjunli	DATED: 2020.10.28
CHECKED: Xuwei	DATED: 2020.10.29
QUALITY CONTROL: Huangyong	DATED: 2020.10.29
RELEASED: Liuchangqing	DATED: 2020.10.29