

Test Report

No.: EGZ2207120192C00110R

Date: Jul.21, 2022

Page 1 of 16

Applicant : SHANGHAI MXCHIP INFORMATION TECHNOLOGY CO., LTD.
Address : 9F, BUILDING B, LANE 2145, JINSHAJIANG ROAD, PUTUO DISTRICT,
SHANGHAI, CHINA (200333)

Sample Name : Embedded WiFi/BT module

Model : EMC3380

Client reference information : EMC3380-D、EMC3380-S

Received Date : Jul. 12, 2022

Test Period : Jul. 12, 2022~Jul. 21, 2022

Test Requested : As requested by client, to evaluate the compliance of the submitted sample with EU RoHS Directive 2011/65/EU Annex II and its amendment (EU) 2015/863 on the restriction of the use of certain hazardous substances in electrical and electronic equipment.

Test Method : 1. Review was performed for the sample and the related Bill of Material submitted by the Applicant.

2. a) To refer to the standard IEC 62321-2:2013, review was performed for the samples disjoined from the submitted articles.

b) To refer to the standard IEC 62321-1:2013, tests were performed for the samples indicated by the photos in this report.

c) To refer to the standard IEC 62321-3-1:2013: Screening by XRF Spectroscopy.

d) Wet chemical test

1) to refer to IEC 62321-5:2013, determine the Lead(Pb),Cadmium(Cd) content by ICP-OES.

2) to refer to IEC 62321-4:2013+A1:2017, determine the Mercury(Hg) content by ICP-OES.

3) to refer to IEC 62321-7-1:2015 & IEC 62321-7-2:2017, determine the Hexavalent Chromium(Cr(VI)) content by UV-VIS.

4) to refer to IEC 62321-6:2015, determine the Polybrominated Biphenyls (PBBs) and Polybrominated Diphenyl Ethers(PBDEs) by GC-MS.

5) to refer to IEC 62321-8:2017, determine the Bis(2-ethylhexyl)phthalate (DEHP), Dibutyl phthalate(DBP), Benzylbutyl phthalate(BBP) and Diisobutyl phthalate(DIBP) by GC-MS.

Test Results : Please refer to next page (s).

Test results are only responsible for delivered samples. This test report is issued by the company and is intended for your exclusive use. This test report includes all of the testes requested by you and the results thereof based upon the information that you provided. You have 30 days from data of issuance of this test report to notify us of any error or omission caused by our negligence. A failure to raise such issue within the prescribed time shall constitute your unqualified acceptance of the completeness of this report, the tests conducted and the correctness of the report contents.



Test Report

No.: EGZ2207120192C00110R

Date: Jul.21, 2022

Page 2 of 16

Conclusion:

Basing on the test results obtained from the homogenous materials, the submitted sample **COMPLIES** with EU RoHS Directive 2011/65/EU Annex II and its amendment (EU) 2015/863.



Signed for and on behalf of
EMTEK(Guangzhou) Co., Ltd.

Prepared by:



Tang Lidong, Lainey
Assistant engineer

Reviewed by:



Sun Wei, Ethan
Technical supervisor

Approved by:



Yu Chunhua, Jay Yu
Authorized signatory
Jul. 21, 2022

Test results are only responsible for delivered samples. This test report is issued by the company and is intended for your exclusive use. This test report includes all of the testes requested by you and the results thereof based upon the information that you provided. You have 30 days from data of issuance of this test report to notify us of any error or omission caused by our negligence. A failure to raise such issue within the prescribed time shall constitute your unqualified acceptance of the completeness of this report, the tests conducted and the correctness of the report contents.



Test Report

No.: EGZ2207120192C00110R

Date: Jul.21, 2022

Page 3 of 16

1. Test Sample List

Sample No.	Sample Description
1	Blue PCB board
2	Case-silvery metal
3	White label
4	IC
5	SMD-L
6	IC
7	Pins-silvery metal
8	SMD-R
9	SMD-C
10	Solder-silvery metal
11	SMD-C
12	SMD-L
13	SMD-Y
14	IPXE seat-coppery metal
15	IPXE seat-white hard plastic

Test results are only responsible for delivered samples. This test report is issued by the company and is intended for your exclusive use. This test report includes all of the testes requested by you and the results thereof based upon the information that you provided. You have 30 days from data of issuance of this test report to notify us of any error or omission caused by our negligence. A failure to raise such issue within the prescribed time shall constitute your unqualified acceptance of the completeness of this report, the tests conducted and the correctness of the report contents.



Test Report

No.: EGZ2207120192C00110R

Date: Jul.21, 2022

Page 4 of 16

2. Pb, Cd, Hg, Cr(VI), PBBs, PBDEs Test Results

No.	Restricted substances	Results of EDXRF ⁽¹⁾	Results of Chemical Testing ⁽²⁾ (mg/kg)	Remark ⁽³⁾
1	Cd	BL	PBBs: ND PBDEs: ND	Non comment
	Pb	BL		
	Hg	BL		
	Cr	BL		
	Br	X		
2	Cd	BL	---	Non comment
	Pb	BL		
	Hg	BL		
	Cr	BL		
	Br	NA		
3	Cd	BL	---	Non comment
	Pb	BL		
	Hg	BL		
	Cr	BL		
	Br	BL		
4	Cd	BL	---	Non comment
	Pb	BL		
	Hg	BL		
	Cr	BL		
	Br	BL		
5	Cd	BL	---	Non comment
	Pb	BL		
	Hg	BL		
	Cr	BL		
	Br	BL		
6	Cd	BL	---	Non comment
	Pb	BL		
	Hg	BL		
	Cr	BL		
	Br	BL		

Test results are only responsible for delivered samples. This test report is issued by the company and is intended for your exclusive use. This test report includes all of the testes requested by you and the results thereof based upon the information that you provided. You have 30 days from data of issuance of this test report to notify us of any error or omission caused by our negligence. A failure to raise such issue within the prescribed time shall constitute your unqualified acceptance of the completeness of this report, the tests conducted and the correctness of the report contents.



Test Report

No.: EGZ2207120192C00110R

Date: Jul.21, 2022

Page 5 of 16

No.	Restricted substances	Results of EDXRF ⁽¹⁾	Results of Chemical Testing ⁽²⁾ (mg/kg)	Remark ⁽³⁾
7	Cd	BL	---	Non comment
	Pb	BL		
	Hg	BL		
	Cr	BL		
	Br	NA		
8	Cd	BL	---	Non comment
	Pb	BL		
	Hg	BL		
	Cr	BL		
	Br	BL		
9	Cd	BL	---	Non comment
	Pb	BL		
	Hg	BL		
	Cr	BL		
	Br	BL		
10	Cd	BL	---	Non comment
	Pb	BL		
	Hg	BL		
	Cr	BL		
	Br	NA		
11	Cd	BL	---	Non comment
	Pb	BL		
	Hg	BL		
	Cr	BL		
	Br	BL		
12	Cd	BL	---	Non comment
	Pb	BL		
	Hg	BL		
	Cr	BL		
	Br	BL		

Test results are only responsible for delivered samples. This test report is issued by the company and is intended for your exclusive use. This test report includes all of the testes requested by you and the results thereof based upon the information that you provided. You have 30 days from data of issuance of this test report to notify us of any error or omission caused by our negligence. A failure to raise such issue within the prescribed time shall constitute your unqualified acceptance of the completeness of this report, the tests conducted and the correctness of the report contents.



Test Report

No.: EGZ2207120192C00110R

Date: Jul.21, 2022

Page 6 of 16

No.	Restricted substances	Results of EDXRF ⁽¹⁾	Results of Chemical Testing ⁽²⁾ (mg/kg)	Remark ⁽³⁾
13	Cd	BL	---	Non comment
	Pb	BL		
	Hg	BL		
	Cr	BL		
	Br	BL		
14	Cd	BL	---	Non comment
	Pb	BL		
	Hg	BL		
	Cr	BL		
	Br	NA		
15	Cd	BL	---	Non comment
	Pb	BL		
	Hg	BL		
	Cr	BL		
	Br	BL		

Test results are only responsible for delivered samples. This test report is issued by the company and is intended for your exclusive use. This test report includes all of the testes requested by you and the results thereof based upon the information that you provided. You have 30 days from data of issuance of this test report to notify us of any error or omission caused by our negligence. A failure to raise such issue within the prescribed time shall constitute your unqualified acceptance of the completeness of this report, the tests conducted and the correctness of the report contents.



Test Report

No.: EGZ2207120192C00110R

Date: Jul.21, 2022

Page 7 of 16

3. Phthalates (DBP, BBP, DEHP, DIBP) Test Results

No.	Restricted substances	CAS No.	Results of Wet chem. Test (%)	MDL (%)	Limit(%)
1	DBP	84-74-2	ND	0.003	0.1
	BBP	85-68-7	ND	0.003	0.1
	DEHP	117-81-7	ND	0.003	0.1
	DIBP	84-69-5	ND	0.003	0.1
3	DBP	84-74-2	ND	0.003	0.1
	BBP	85-68-7	ND	0.003	0.1
	DEHP	117-81-7	ND	0.003	0.1
	DIBP	84-69-5	ND	0.003	0.1
4	DBP	84-74-2	ND	0.003	0.1
	BBP	85-68-7	ND	0.003	0.1
	DEHP	117-81-7	ND	0.003	0.1
	DIBP	84-69-5	ND	0.003	0.1
5	DBP	84-74-2	ND	0.003	0.1
	BBP	85-68-7	ND	0.003	0.1
	DEHP	117-81-7	ND	0.003	0.1
	DIBP	84-69-5	ND	0.003	0.1
6	DBP	84-74-2	ND	0.003	0.1
	BBP	85-68-7	ND	0.003	0.1
	DEHP	117-81-7	ND	0.003	0.1
	DIBP	84-69-5	ND	0.003	0.1
8	DBP	84-74-2	ND	0.003	0.1
	BBP	85-68-7	ND	0.003	0.1
	DEHP	117-81-7	ND	0.003	0.1
	DIBP	84-69-5	ND	0.003	0.1
9	DBP	84-74-2	ND	0.003	0.1
	BBP	85-68-7	ND	0.003	0.1
	DEHP	117-81-7	ND	0.003	0.1
	DIBP	84-69-5	ND	0.003	0.1

Test results are only responsible for delivered samples. This test report is issued by the company and is intended for your exclusive use. This test report includes all of the testes requested by you and the results thereof based upon the information that you provided. You have 30 days from data of issuance of this test report to notify us of any error or omission caused by our negligence. A failure to raise such issue within the prescribed time shall constitute your unqualified acceptance of the completeness of this report, the tests conducted and the correctness of the report contents.



Test Report

No.: EGZ2207120192C00110R

Date: Jul.21, 2022

Page 8 of 16

No.	Restricted substances	CAS No.	Results of Wet chem. Test (%)	MDL (%)	Limit(%)
11	DBP	84-74-2	ND	0.003	0.1
	BBP	85-68-7	ND	0.003	0.1
	DEHP	117-81-7	ND	0.003	0.1
	DIBP	84-69-5	ND	0.003	0.1
12	DBP	84-74-2	ND	0.003	0.1
	BBP	85-68-7	ND	0.003	0.1
	DEHP	117-81-7	ND	0.003	0.1
	DIBP	84-69-5	ND	0.003	0.1
13	DBP	84-74-2	ND	0.003	0.1
	BBP	85-68-7	ND	0.003	0.1
	DEHP	117-81-7	ND	0.003	0.1
	DIBP	84-69-5	ND	0.003	0.1
15	DBP	84-74-2	ND	0.003	0.1
	BBP	85-68-7	ND	0.003	0.1
	DEHP	117-81-7	ND	0.003	0.1
	DIBP	84-69-5	ND	0.003	0.1

Test results are only responsible for delivered samples. This test report is issued by the company and is intended for your exclusive use. This test report includes all of the testes requested by you and the results thereof based upon the information that you provided. You have 30 days from data of issuance of this test report to notify us of any error or omission caused by our negligence. A failure to raise such issue within the prescribed time shall constitute your unqualified acceptance of the completeness of this report, the tests conducted and the correctness of the report contents.



Test Report

No.: EGZ2207120192C00110R

Date: Jul.21, 2022

Page 9 of 16

(1) ① Results are obtained by XRF for primary screening, and further wet chemical testing by ICP-OES / AAS (for Cd, Pb, Hg), UV-VIS (for Cr(VI)) and GC/MS (for PBBs, PBDEs) is recommended to be performed, if an inconclusive result was found (as "X" in below table)(unit: mg/kg).

② OL = Over Limit, BL = Below Limit, X = Inconclusive, NA= Not Applicable.

③ The XRF screening test for RoHS elements – The reading may be different to the actual content in the sample be of non-uniformity composition.

Element	Polymer	Metal	Composite Materials
Cd	$BL \leq (70-3\sigma) < X < (130+3\sigma) \leq OL$	$BL \leq (70-3\sigma) < X < (130+3\sigma) \leq OL$	$LOD < X < (150+3\sigma) \leq OL$
Pb	$BL \leq (700-3\sigma) < X < (1300+3\sigma) \leq OL$	$BL \leq (700-3\sigma) < X < (1300+3\sigma) \leq OL$	$BL \leq (500-3\sigma) < X < (1500+3\sigma) \leq OL$
Hg	$BL \leq (700-3\sigma) < X < (1300+3\sigma) \leq OL$	$BL \leq (700-3\sigma) < X < (1300+3\sigma) \leq OL$	$BL \leq (500-3\sigma) < X < (1500+3\sigma) \leq OL$
Br	$BL \leq (300-3\sigma) < X$	NA	$BL \leq (250-3\sigma) < X$
Cr	$BL \leq (700-3\sigma) < X$	$BL \leq (700-3\sigma) < X$	$BL \leq (500-3\sigma) < X$

(2) ① mg/kg = ppm = 0.0001%, ND = Not Detected (Less than method detection limit.)

② Unit and Method Detection Limit (MDL) in wet chemical test.

Test items	Pb	Cd	Hg	Cr(VI)(Non-metal)	PBBs(single)	PBDEs(single)
Unit	mg/kg	mg/kg	mg/kg	mg/kg	mg/kg	mg/kg
MDL	2	2	2	8	5	5

③ According to IEC 62321-7-1:2015, result on Cr(VI) for metal sample is shown as Positive/Negative.

a. The sample is positive for Cr(VI) if the Cr(VI) concentration is greater than $0.13\mu\text{g}/\text{cm}^2$.

The sample coating is considered to contain Cr(VI).

b. The sample is negative for Cr(VI) if the Cr(VI) concentration is less than $0.10\mu\text{g}/\text{cm}^2$.

The sample is considered a non- Cr(VI) based coating.

c. The result between is $0.10\mu\text{g}/\text{cm}^2$ and $0.13\mu\text{g}/\text{cm}^2$ is considered to be inconclusive-unavoidable coating variations may influence the determination.

Storage condition and production date of the tested sample are unavailable and thus results of Cr(VI) represent status of the sample at the time of testing.

④ According to IEC 62321-3-1:2013, this column represents the results of wet chemical test. And "----" means no need to perform wet chemical test, when the XRF screening results are qualified.

(3) This column represents the exempted decoration of material or other related testing sample's information. And "Non comment" means no note



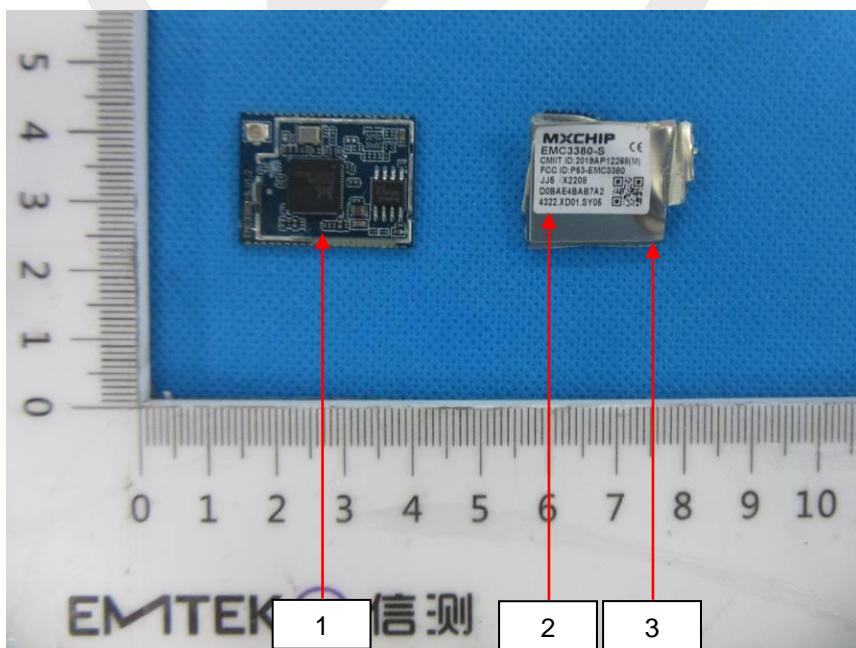
Test Report

No.: EGZ2207120192C00110R

Date: Jul.21, 2022

Page 10 of 16

4. Sample Photos



Test results are only responsible for delivered samples. This test report is issued by the company and is intended for your exclusive use. This test report includes all of the testes requested by you and the results thereof based upon the information that you provided. You have 30 days from data of issuance of this test report to notify us of any error or omission caused by our negligence. A failure to raise such issue within the prescribed time shall constitute your unqualified acceptance of the completeness of this report, the tests conducted and the correctness of the report contents.

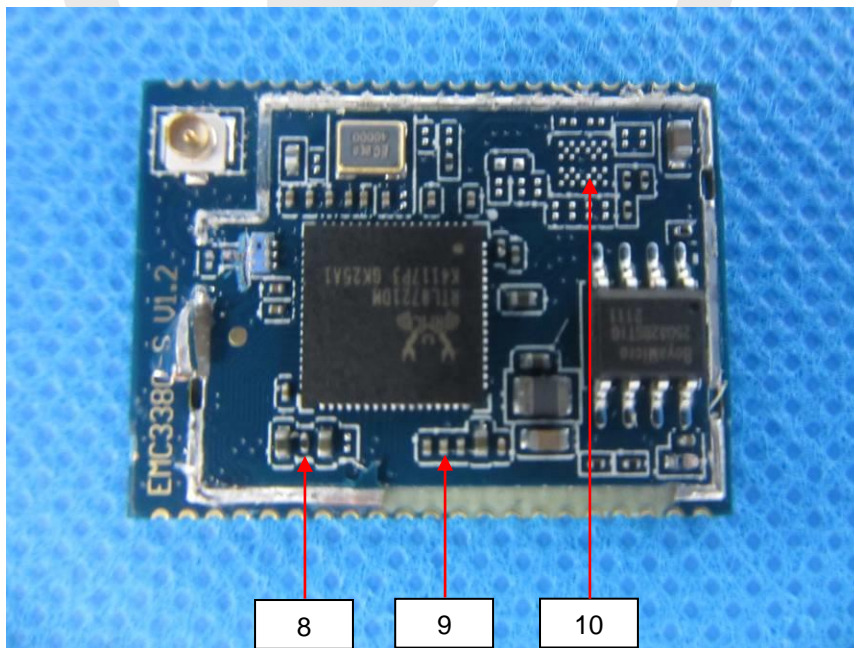
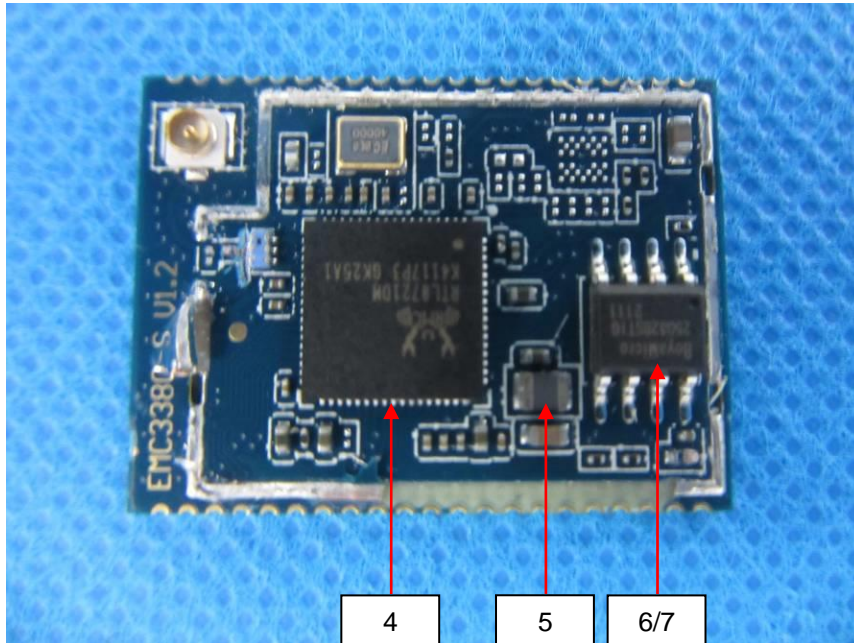


Test Report

No.: EGZ2207120192C00110R

Date: Jul.21, 2022

Page 11 of 16



Test results are only responsible for delivered samples. This test report is issued by the company and is intended for your exclusive use. This test report includes all of the testes requested by you and the results thereof based upon the information that you provided. You have 30 days from data of issuance of this test report to notify us of any error or omission caused by our negligence. A failure to raise such issue within the prescribed time shall constitute your unqualified acceptance of the completeness of this report, the tests conducted and the correctness of the report contents.

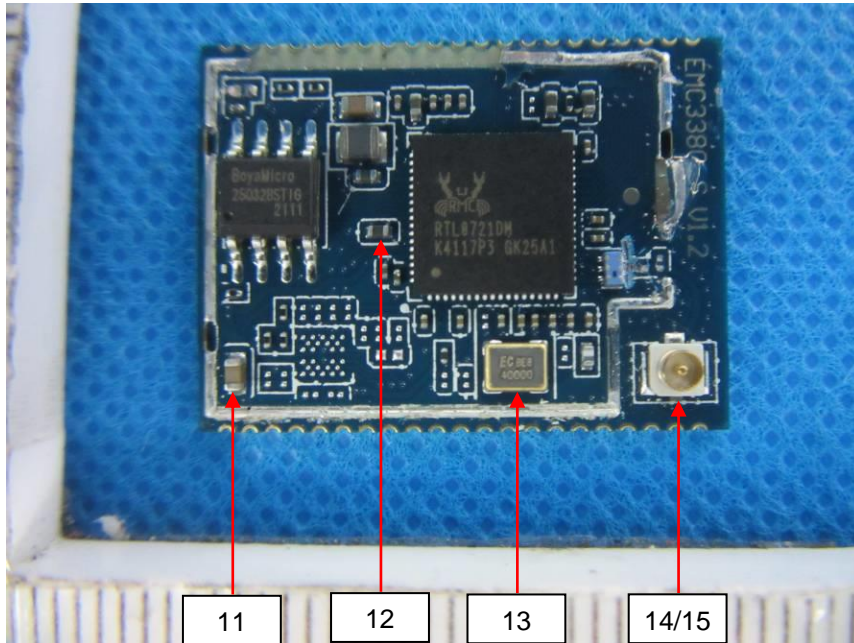


Test Report

No.: EGZ2207120192C00110R

Date: Jul.21, 2022

Page 12 of 16



*** End of Report ***

Test results are only responsible for delivered samples. This test report is issued by the company and is intended for your exclusive use. This test report includes all of the testes requested by you and the results thereof based upon the information that you provided. You have 30 days from data of issuance of this test report to notify us of any error or omission caused by our negligence. A failure to raise such issue within the prescribed time shall constitute your unqualified acceptance of the completeness of this report, the tests conducted and the correctness of the report contents.



Test Report

No.: EGZ2207120192C00110R

Date: Jul.21, 2022

Page 13 of 16

ANNEX

RESTRICTED SUBSTANCES LIST

Restricted substances and maximum concentration values tolerated by weight in homogeneous materials

Lead (0.1%)	Mercury (0.1%)
Cadmium (0.01%)	Hexavalent chromium (0.1%)
Polybrominated biphenyls (PBB) (0.1%)	Polybrominated diphenyl ethers (PBDE) (0.1%)
Bis(2-ethylhexyl) phthalate (DEHP) (0.1%)	Butyl benzyl phthalate (BBP) (0.1%)
Dibutyl phthalate (DBP) (0.1%)	Diisobutyl phthalate (DIBP) (0.1%)

EXEMPTION LIST

- 1 Mercury in single capped (compact) fluorescent lamps not exceeding (per burner):
 - 1(a) For general lighting purposes < 30W: 5mg (expires on 31 December 2011; 3.5mg may be used per burner after 31 December 2011 until 31 December 2012; 2.5mg shall be used per burner after 31 December 2012)
 - 1(b) For general lighting purposes \geq 30W and <50W: 5mg (expires on 31 December 2011; 3.5mg may be used per burner after 31 December 2011)
 - 1(c) For general lighting purposes \geq 50W and <150W: 5mg
 - 1(d) For general lighting purposes \geq 150W: 15mg
 - 1(e) For general lighting purposes with circular or square structural shape and tube diameter \leq 17mm (no limitation of use until 31 December 2011; 7mg may be used per burner after 31 December 2011)
 - 1(f) For special purposes: 5mg
 - 1(g) For general lighting purposes < 30 W with a lifetime equal or above 20 000 h: 3,5 mg (Expires on 31 December 2017)
- 2(a) Mercury in double-capped linear fluorescent lamps for general lighting purposes not exceeding (per lamp):
 - 2(a)(1) Tri-band phosphor with normal lifetime and a tube diameter < 9mm (e.g. T2): 5mg (expires on 31 December 2011; 4mg may be used per lamp after 31 December 2011)
 - 2(a)(2) Tri-band phosphor with normal lifetime and a tube diameter \geq 9mm and \leq 17mm (e.g. T5): 5mg (expires on 31 December 2011; 3mg may be used per lamp after 31 December 2011)
 - 2(a)(3) Tri-band phosphor with normal lifetime and a tube diameter > 17mm and \leq 28mm (e.g. T8): 5mg (expires on 31 December 2011; 3.5mg may be used per lamp after 31 December 2011)
 - 2(a)(4) Tri-band phosphor with normal lifetime and a tube diameter > 28mm (e.g. T12): 5mg (expires on 31 December 2012; 3.5mg may be used per lamp after 31 December 2012)
 - 2(a)(5) Tri-band phosphor with long lifetime (\geq 25000h): 8mg (expires on 31 December 2011; 5mg may be used per lamp after 31 December 2011)
- 2(b) Mercury in other fluorescent lamps not exceeding (per lamp):
 - 2(b)(2) Non-linear halophosphate lamps (all diameters): 15mg (expires on 13 April 2016)
 - 2(b)(3) Non-linear tri-band phosphor lamps with tube diameter > 17mm (e.g. T9) (no limitation of use until 31 December 2011; 15mg may be used per lamp after 31 December 2011)
 - 2(b)(4) Lamps for other general lighting and special purposes (e.g. induction lamps) (no limitation of use until 31 December 2011; 15mg may be used per lamp after 31 December 2011)
- 3 Mercury in cold cathode fluorescent lamps and external electrode fluorescent lamps (CCFL and EEFL) for special purposes not exceeding (per lamp):
 - 3(a) Short length (\leq 500mm) (No limitation of use until 31 December 2011; 3.5mg may be used per lamp after 31 December 2011)
 - 3(b) Medium length (> 500mm and \leq 1500mm) (No limitation of use until 31 December 2011; 5mg may be used per lamp after 31 December 2011)
 - 3(c) Long length (> 1500mm) (No limitation of use until 31 December 2011; 13mg may be used per lamp after 31 December 2011)
- 4(a) Mercury in other low pressure discharge lamps (per lamp) (no limitation of use until 31 December 2011; 15mg may be used per lamp after 31 December 2011)
- 4(b) Mercury in High Pressure Sodium (vapour) lamps for general lighting purposes not exceeding (per burner) in lamps with improved colour rendering index $R_a > 60$:
 - 4(b)-I $P \leq 155W$ (no limitation of use until 31 December 2011; 40mg may be used per burner after 31 December 2011)
 - 4(b)-II $155W < P \leq 405W$ (no limitation of use until 31 December 2011; 40mg may be used per burner after 31 December 2011)
 - 4(b)-III $P > 405W$ (no limitation of use until 31 December 2011; 40mg may be used per burner after 31 December 2011)
- 4(c) Mercury in other High Pressure Sodium (vapour) lamps for general lighting purposes not exceeding (per burner):
 - 4(c)-I $P \leq 155W$ (no limitation of use until 31 December 2011; 25mg may be used per burner after 31 December 2011)
 - 4(c)-II $155W < P \leq 405W$ (no limitation of use until 31 December 2011; 30mg may be used per burner after 31 December 2011)
 - 4(c)-III $P > 405W$ (no limitation of use until 31 December 2011; 40mg may be used per burner after 31 December 2011)
- 4(d) Mercury in High Pressure Mercury (vapour) lamps (HPMV) (expires on 13 April 2015)

Test results are only responsible for delivered samples. This test report is issued by the company and is intended for your exclusive use. This test report includes all of the testes requested by you and the results thereof based upon the information that you provided. You have 30 days from data of issuance of this test report to notify us of any error or omission caused by our negligence. A failure to raise such issue within the prescribed time shall constitute your unqualified acceptance of the completeness of this report, the tests conducted and the correctness of the report contents.



Test Report

No.: EGZ2207120192C00110R

Date: Jul.21, 2022

Page 14 of 16

ANNEX

EXEMPTION LIST

Continued

- 4(e) Mercury in metal halide lamps (MH)
- 4(f) Mercury in other discharge lamps for special purposes not specifically mentioned in this Annex
- 4(g) Mercury in hand crafted luminous discharge tubes used for signs, decorative or architectural and specialist lighting and lightartwork, where the mercury content shall be limited as follows: (Expires on 31 December 2018)
- (a) 20 mg per electrode pair + 0,3 mg per tube length in cm, but not more than 80 mg, for outdoor applications and indoor applications exposed to temperatures below 20 °C;
- (b) 15 mg per electrode pair + 0,24 mg per tube length in cm, but not more than 80 mg, for all other indoor applications.
- 5(a) Lead in glass of cathode ray tubes
- 5(b) Lead in glass of fluorescent tubes not exceeding 0.2% by weight
- 6(a) Lead as an alloying element in steel for machining purposes and in galvanized steel containing up to 0.35% lead by weight
- 6(b) Lead as an alloying element in aluminium containing up to 0.4% lead by weight
- 6(c) Copper alloy containing up to 4% lead by weight.
- 7(a) Lead in high melting temperature type solders (i.e. lead based alloys containing 85% by weight or more lead)
- 7(b) Lead in solders for servers, storage and storage array systems, network infrastructure equipment for switching, signalling, transmission, and network management for telecommunications
- 7(c)-I Electrical and electronic components containing lead in a glass or ceramic other than dielectric ceramic in capacitors, e.g. piezoelectronic devices, or in a glass or ceramic matrix compound
- 7(c)-II Lead in dielectric ceramic in capacitors for a rated voltage of 125V AC or 250V DC or higher
- 7(c)-III Lead in dielectric ceramic in capacitors for a rated voltage of less than 125V AC or 250V DC (expires on 1 January 2013 and after that date may be used in spare parts for EEE placed on the market before 1 January 2013).
- 7(c)-IV Lead in PZT based dielectric ceramic materials for capacitors being part of integrated circuits or discrete semiconductors
- 8(a) Cadmium and its compounds in one shot pellet type thermal cut-offs (expires on 1 January 2012 and after that date may be used in spare parts for EEE placed on the market before 1 January 2012)
- 8(b) Cadmium and its compounds in electrical contacts
- 9 Hexavalent chromium as an anti-corrosion agent of the carbon steel cooling system in absorption refrigerators up to 0.75% by weight in the cooling solution
- 9(b) Lead in bearing shells and bushes for refrigerant-containing compressors for heating, ventilation, air conditioning and refrigeration (HVACR) applications
- 11(b) Lead used in other than C-press compliant pin connector systems (expires on 1 January 2013 and after that date may be used in spare parts for EEE placed on the market before 1 January 2013)
- 13(a) Lead in white glasses used for optical applications
- 13(b) Cadmium and lead in filter glasses and glasses used for reflectance standards
- 14 Lead in solders consisting of more than two elements for the connection between the pins and the package of microprocessors with a lead content of more than 80% and less than 85% by weight (expires on 1 January 2011 and after that date may be used in spare parts for EEE placed on the market before 1 January 2011)
- 15 Lead in solders to complete a viable electrical connection between semiconductor die and carrier within integrated circuit Flip Chip packages
- 17 Lead halide as radiant agent in High Intensity Discharge (HID) lamps used for professional reprography applications
- 18(b) Lead as activator in the fluorescent powder (1% lead by weight or less) of discharge lamps when used as sun tanning lamps containing phosphors such as BSP (BaSi2O5:Pb)
- 21 Lead and cadmium in printing inks for the application of enamels on glasses, such as borosilicate and soda lime glass
- 24 Lead in solders for the soldering to machined through hole discoidal and planar array ceramic multilayer capacitors
- 25 Lead oxide in surface conduction electron emitter displays (SED) used in structural elements, notably in the seal frit and frit ring
- 29 Lead bound in crystal glass as defined in Annex 1 (Categories 1, 2, 3 and 4) of Council Directive 69/493/EEC
- 30 Cadmium alloys as electrical/mechanical solder joints to electrical conductors located directly on the voice coil in transducers used in high-powered loudspeakers with sound pressure levels of 100 dB (A) and more
- 31 Lead in soldering materials in mercury free flat fluorescent lamps (which e.g. are used for liquid crystal displays, design or industrial lighting)
- 32 Lead oxide in seal frit used for making window assemblies for Argon and Krypton laser tubes
- 33 Lead in solders for the soldering of thin copper wires of 100 µm diameter and less in power transformers
- 34 Lead in cermet-based trimmer potentiometer elements
- 37 Lead in the plating layer of high voltage diodes on the basis of a zinc borate glass body
- 38 Cadmium and cadmium oxide in thick film pastes used on aluminium bonded beryllium oxide

Test results are only responsible for delivered samples. This test report is issued by the company and is intended for your exclusive use. This test report includes all of the testes requested by you and the results thereof based upon the information that you provided. You have 30 days from data of issuance of this test report to notify us of any error or omission caused by our negligence. A failure to raise such issue within the prescribed time shall constitute your unqualified acceptance of the completeness of this report, the tests conducted and the correctness of the report contents.



Test Report

No.: EGZ2207120192C00110R

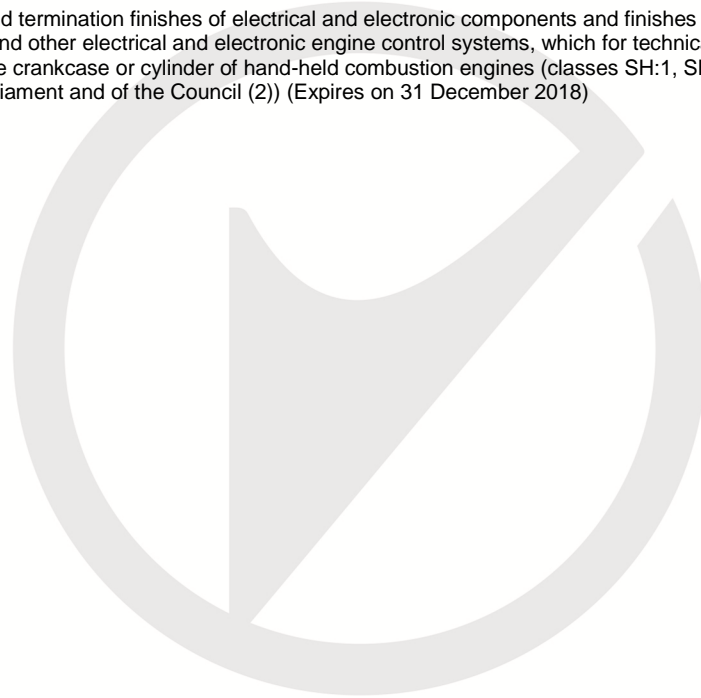
Date: Jul.21, 2022

Page 15 of 16

ANNEX EXEMPTION LIST

Continued

- 39 Cadmium in colour converting II-VI LEDs ($< 10 \mu\text{g Cd per mm}^2$ of light-emitting area) for use in solid state illumination or display systems (expires on 1 July 2014)
- 41 Lead in solders and termination finishes of electrical and electronic components and finishes of printed circuit boards used in ignition modules and other electrical and electronic engine control systems, which for technical reasons must be mounted directly on or in the crankcase or cylinder of hand-held combustion engines (classes SH:1, SH:2, SH:3 of Directive 97/68/EC of the European Parliament and of the Council (2)) (Expires on 31 December 2018)



Test results are only responsible for delivered samples. This test report is issued by the company and is intended for your exclusive use. This test report includes all of the testes requested by you and the results thereof based upon the information that you provided. You have 30 days from data of issuance of this test report to notify us of any error or omission caused by our negligence. A failure to raise such issue within the prescribed time shall constitute your unqualified acceptance of the completeness of this report, the tests conducted and the correctness of the report contents.



Test Report

No.: EGZ2207120192C00110R

Date: Jul.21, 2022

Page 16 of 16

声明 Statement

- 1.本检测报告首页所列信息中除样品来源、接样日期、检测日期、检测结果和检测结论外，均由委托方提供，委托方对样品的代表性和资料的真实性负责，本实验室不承担任何相关责任。
The information as listed on the first page of this test report was all provided by the client except the sample from, date received, test period, test results and test conclusion. The client shall be responsible for the representativeness of sample and authenticity of materials, for which EMTEK shall bear no responsibilities.
- 2.本检测报告以实测值进行符合性判定，未考虑不确定度所带来的风险，特别约定、标准或规范中有明确规定的除外。此种判定方式所带来的风险由客户自行承担，本实验室不承担相关责任。
The judgment method of determining the conformity in this test report is according to the measured value without considering the risk caused by uncertainty, unless otherwise clearly stipulated in special agreement, standard or specification. The client shall assume the risk caused by the judgment method, and EMTEK shall not bear related responsibilities.
3. 检测报告无批准人签字及“检验检测专用章”无效，未经本实验室书面同意，不得整体或部分复制本报告。
The test report is effective only with both signature and specialized stamp. Without written approval of EMTEK, this report can't be reproduced in full or in part.
- 4.本检测报告的检测结果仅对送测样品负责，未加盖资质认定标志的检测报告不对社会具有公证证明作用，对于检测数据、结果的使用，所产生的直接或间接损失及一切法律后果，本实验室不承担任何经济和法律后果。
This test data is only responsible for the tested sample. The data and results provided by the report without CMA accreditation are not to prove to the society, and EMTEK is not responsible for any economic and legal responsibility for the use of the test data, the direct or indirect losses resulting from the use of the test and all legal consequences.
- 5.本检测报告中检测项目标注有特殊符号则该项目不在本实验室资质认定能力范围内，该项目检测结果仅作为客户委托、科研、教学或内部质量控制等目的使用。
The test items are marked with special symbols in the report is out of the scope of CMA accreditation. The test result only used for client's requirement, scientific researching ,teaching or internal quality control.
- 6.其它声明请查阅报告页脚及书面报告末页。
For other statements, please refer to the footer of the report.

Test results are only responsible for delivered samples. This test report is issued by the company and is intended for your exclusive use. This test report includes all of the testes requested by you and the results thereof based upon the information that you provided. You have 30 days from data of issuance of this test report to notify us of any error or omission caused by our negligence. A failure to raise such issue within the prescribed time shall constitute your unqualified acceptance of the completeness of this report, the tests conducted and the correctness of the report contents.



签发测试报告条款 Conditions of Issuance of Test Reports

1. 广州信测标准技术服务有限公司（以下简称[本公司]）为提供符合下述条款的测试和报告，而接受有关样品和货品。本公司基于下述条款提供服务，下述条款为本公司与申请服务的个人，企业或公司（以下简称[客户]）的协议。
All samples and goods are accepted by the EMTEK(Guangzhou) Co., Ltd. (the "Company") solely for testing and reporting in accordance with the following terms and conditions. The company provides its services on the basis that such terms and conditions constitute express agreement between the Company and any person, firm or company requesting its services (the "Clients").
2. 由此测试申请所发出的任何报告（以下简称[报告]），本公司会严格为客户保密。未经本公司的书面同意，报告的整体或部分不得复制，也不得用于广告或授权的其他用途。然而，客户可以将本公司印制的报告或认可的副本，向其客户、供货商或直接相关的其他人出示或提交。除非相关政府部门、法律或法规要求，否则未经客户同意，本公司不得将报告内容向任何第三方讨论或披露。
Any report issued by Company as a result of this application for testing services (the "Report") shall be issued in confidence to the Clients and the Report will be strictly treated as such by the Company. It may not be reproduced either in its entirety or in part and it may not be used for advertising or other unauthorized purposes without the written consent of the Company. The Clients to whom the Report is issued may, however, show or send it, or a certified copy thereof prepared by the Company to its customer, supplier or other persons directly concerned. The Company will not, without the consent of the Clients, enter into any discussion or correspondence with any third party concerning the contents of the Report, unless required by the relevant governmental authorities, laws or court orders.
3. 除非相关政府部门、法律或法院要求，否则未经公司预先书面同意，本公司毋庸，也并无义务到法院对有关报告作证。
The Company shall not be called or be liable to be called to give evidence or testimony on the Report in a court of law without its prior written consent, unless required by the relevant governmental authorities, laws or court orders.
4. 如果本公司确定报告被不当地使用，本公司保留撤回报告的权利，并有权要求其它适当的额外赔偿。
In the event of the improper use of the report as determined by the Company, the Company reserves the right to withdraw it, and to adopt any other additional remedies which may be appropriate.
5. 本公司接受样品进行测试的前提是，该测试报告不能作为 needle 对本公司法律行动的依据。
Samples submitted for testing are accepted on the understanding that the Report issued cannot form the basis of, or be the instrument for, any legal action against the Company.
6. 如因使用本公司中心任何报告内的资料，或任何传播信息所描述与之有关的测试或研究导致的任何损失或损害，本公司概不负责。
The Company will not be liable for or accept responsibility for any loss or damage however arising from the use of information contained in any of its Reports or in any communication whatsoever about its said tests or investigations.
7. 若需要在法院审理程序或者仲裁过程中使用测试报告，客户必须在提交测试样品前将该意图告知本公司。
Clients wishing to use the Report in court proceedings or arbitration shall inform the Company to that effect prior to submitting the sample for testing.
8. 该测试报告的支持数据和信息本公司保存 10 年。个别评审机构有特别要求的，检测数据和报告的保存期可依情况变动。一旦超过上述提交的保存期限，数据和信息将被处理掉。任何情况下，本公司不必提供任何被处理的过期数据或信息。即使本公司事先被告知可能会发生相关的损害，本公司在任何情况下也不必承担任何损害，包括（但不限于）补偿性赔偿、利润损失、数据遗失、或任何形式的特殊损害、附带损害、间接损害、从属损害或任何违反约定、违反承诺、侵权（包括疏忽）、产品责任或其他原因的惩罚性损害。
Subject to the variable length of retention time for test data and report stored hereinto as otherwise specifically required by individual accreditation authorities, the Company will only keep the supporting test data and information of the test report for a period of ten years. The data and information will be disposed of after the aforementioned retention period has elapsed. Under no circumstances shall we provide any data and information which has been disposed of after retention period. Under no circumstances shall we be liable for damage of any kind, including (but not limited to) compensatory damages, lost profits, lost data, or any form of special, incidental, indirect, consequential or punitive damages of any kind, whether based on breach of contract of warranty, tort (including negligence), product liability or otherwise, even if we are informed in advance of the possibility of such damages.

