

6

5

4

3

2

1

D

D

C

C

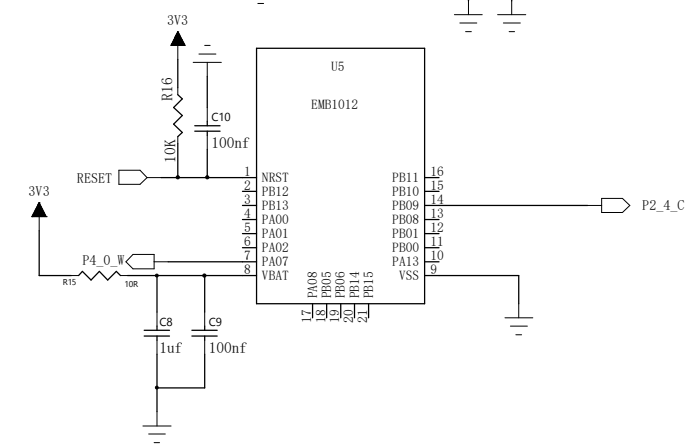
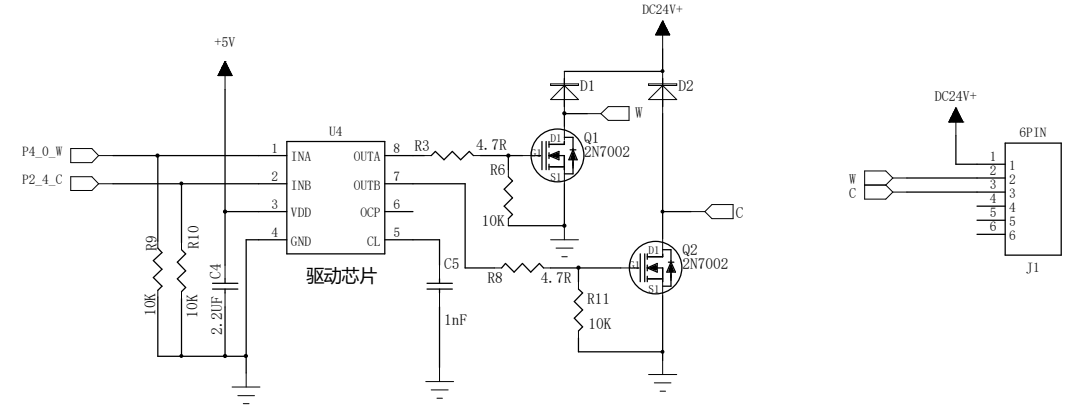
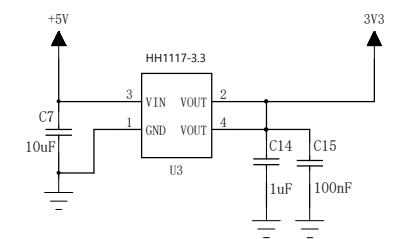
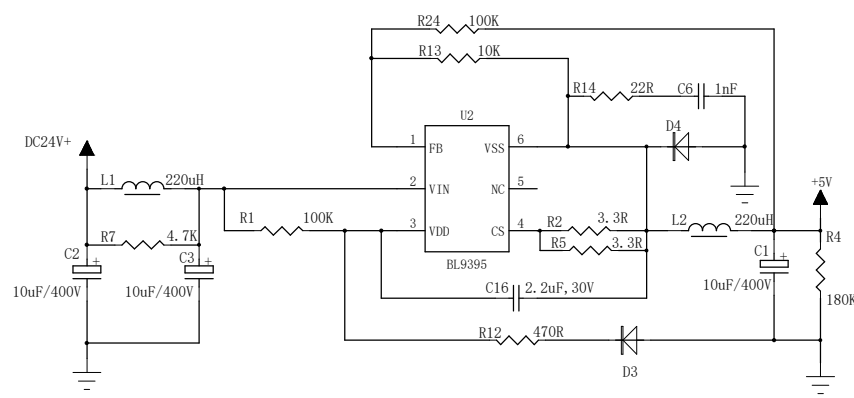
B

B

A

A

REVISION RECORD			
LTR	ECO NO:	APPROVED:	DATE:



NOTE:  
 1.模组出来的CW信号不能随意交换, 否则会造成固件失效。  
 2.3.3V电源串接10欧姆, 预防电源高频噪声给过大导致的配网失败。

COMPANY: SH MXCHIP			
TITLE: CW灯带_V1.1			
CODE:	SIZE: B	DRAWING NO:	REV:
SCALE:	SHEET: 1 OF 1		

DRAWN:	DATED:
CHECKED:	DATED:
QUALITY CONTROL:	DATED:
RELEASED:	DATED: